

Revision A:

- MUZ-HC35VA-**E2** and MUZ-HC35VAB-**E2** have been added.

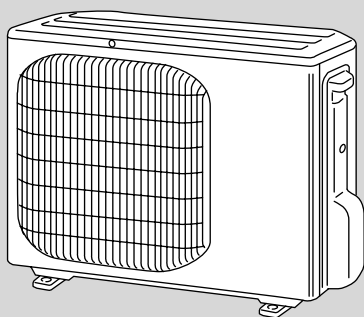
Please void OBB467.

OUTDOOR UNIT PARTS CATALOG

No. OBB467
REVISED EDITION-A

Models

MUZ-HC25VA	-	E1
MUZ-HC35VA	-	E1
MUZ-HC35VA	-	E2
MUZ-HC35VAB	-	E1
MUZ-HC35VAB	-	E2



CONTENTS

1. RoHS PARTS LIST.....	2
-------------------------	---

SERVICE MANUAL (OBH467)

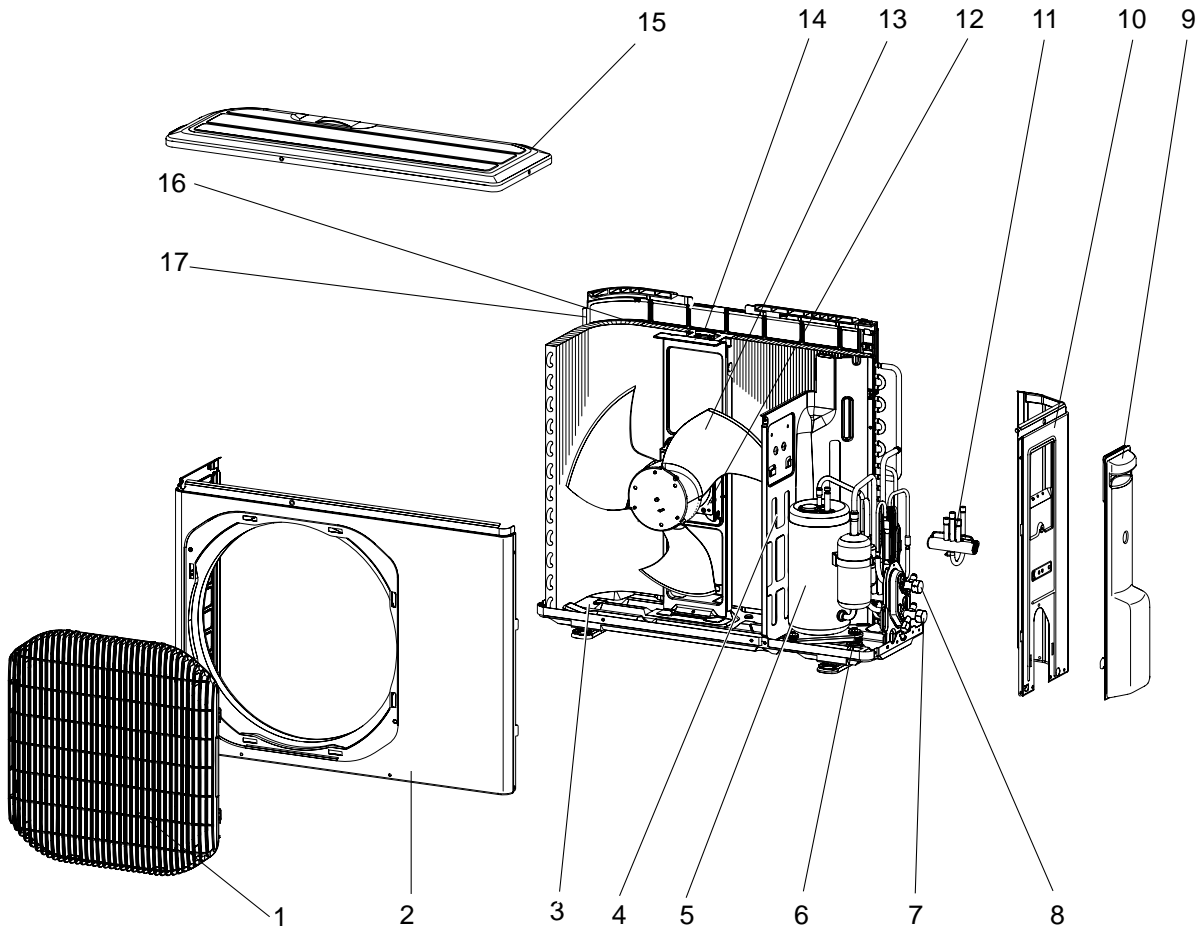
NOTE:
RoHS compliant products have <G> mark on the spec name plate.



1 RoHS PARTS LIST

MUZ-HC25VA MUZ-HC35VA MUZ-HC35VAB

1-1. OUTDOOR UNIT STRUCTURAL PARTS AND FUNCTIONAL PARTS

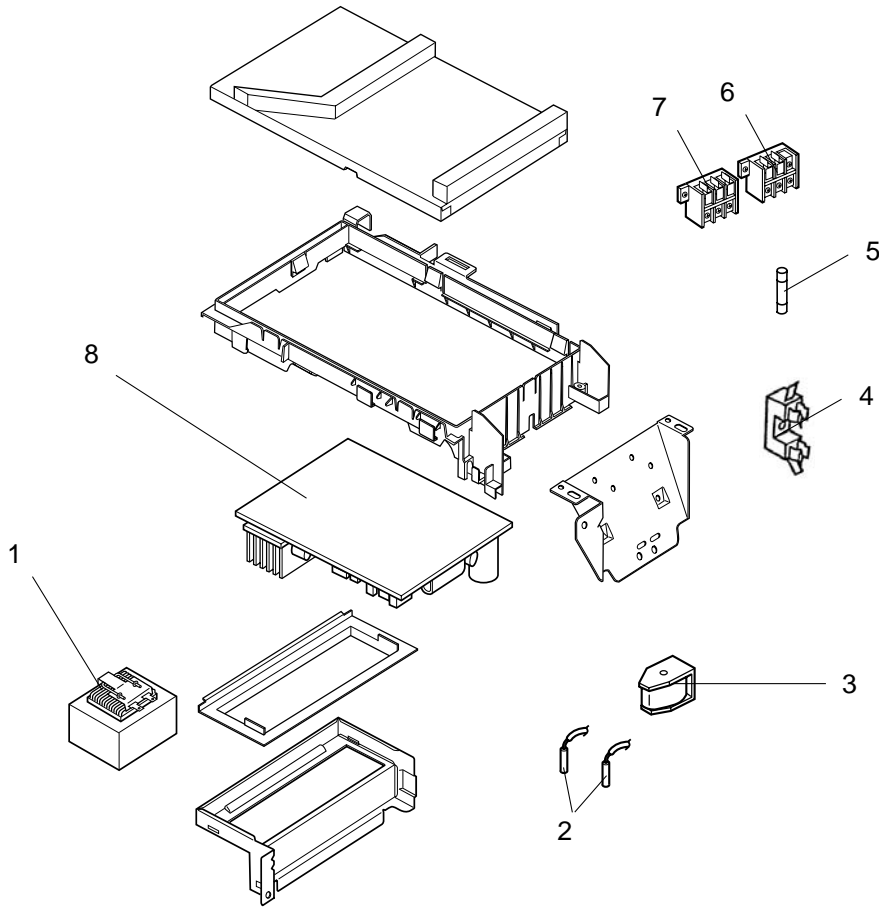


1-1. OUTDOOR UNIT STRUCTURAL PARTS AND FUNCTIONAL PARTS

Part number that is circled is not shown in the illustration.

No.	RoHS	Part No.	Part Name	Symbol in Wiring Diagram	Q'ty/unit					Remarks
					MUZ-HC					
					25VA-[E1]	35VA-		35VAB-		
	[E1]	[E2]	[E1]	[E2]						
1	G	E12 B72 521	GRILLE		1	1	1	1	1	
2	G	E12 B72 232	CABINET		1	1	1	1	1	
3	G	E12 B72 290	BASE		1	1	1	1	1	
4	G	E12 B72 293	SEPARATOR		1	1	1	1	1	
5	G	E12 928 900	COMPRESSOR	MC	1					KNB065FDTHC
	G	E12 B73 900				1		1		KNB073FEDH
	G	E12 B93 900				1		1		KNB073FGDH
	G	E12 D75 900					1		1	KNB073FGDHC
6	G	E12 065 506	COMPRESSOR RUBBER SET		3	3	3	3	3	3 RUBBERS/SET
7	G	E12 927 661	STOP VALVE (GAS)		1	1	1	1	1	ø9.52
8	G	E12 927 662	STOP VALVE (LIQUID)		1	1	1	1	1	ø6.35
9	G	E12 B72 245	SERVICE PANEL		1	1	1	1	1	
10	G	E12 B72 233	BACK PANEL		1	1	1	1	1	
11	G	E12 931 961	4-WAY VALVE		1	1	1	1	1	
12	G	E12 A89 301	OUTDOOR FAN MOTOR	MF	1	1		1		
	G	E12 B92 301					1		1	
13	G	E12 B72 501	PROPELLER		1	1	1	1	1	
14	G	E12 B72 515	MOTOR SUPPORT		1	1	1	1	1	
15	G	E12 B72 297	TOP PANEL		1	1	1	1	1	
16	G	E12 B72 630	OUTDOOR HEAT EXCHANGER		1					
	G	E12 B73 630			1	1	1	1		
17	G	E12 B72 523	CONDENSER NET		1	1	1	1	1	
18	G	E12 B72 936	CAPILLARY TUBE		1					ø3.0 x ø1.4 x 800
	G	E12 B72 937			1					ø3.0 x ø1.4 x 450
	G	E12 B73 936			1		1			ø3.0 x ø1.4 x 600
	G	E12 B88 936			1		1			ø3.0 x ø1.4 x 235
	G	E12 B82 936				1		1		ø3.0 x ø2.0 x 260
19	G	E12 891 642	CHECK VALVE		1	1		1		
20	G	E12 927 640	EXPANSION VALVE				1		1	
21	G	E12 D75 493	EXPANSION VALVE COIL	LEV			1		1	

1-2. OUTDOOR UNIT ELECTRICAL PARTS

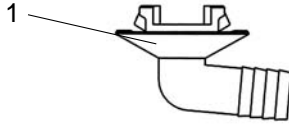


Part number that is circled is not shown in the illustration.

No.	RoHS	Part No.	Part Name	Symbol in Wiring Diagram	Q'ty/unit					Remarks
					MUZ-HC					
					25VA-E1	35VA-		35VAB-		
	E1	E2	E1	E2						
1	G	E12 B72 337	REACTOR	L61	1	1	1	1	1	
2	G	E12 927 306	THERMISTOR SET	RT61,RT62	1	1	1	1	1	DEFROST, DISCHARGE
3	G	E12 B72 490	R.V. COIL	21S4	1	1	1	1	1	
4	G	E12 735 241	FUSE HOLDER		1	1	1	1	1	
5	G	E12 735 382	FUSE	F61	1	1	1	1	1	T20AL250V
6	G	E12 573 375	TERMINAL BLOCK	TB1	1	1	1	1	1	3 P
7	G	E12 927 374	TERMINAL BLOCK	TB2	1	1	1	1	1	3 P
8	G	E12 B72 451	INVERTER P.C. BOARD		1					Including heat sink and RT64
	G	E12 B73 451				1				
	G	E12 D75 451					1			
	G	E12 B88 451						1		
	G	E12 D76 451							1	
⑨	G	E12 A49 382	FUSE	F701,F801	1	1		1		T3.15AL250V
	G	E12 784 382					1		1	
⑩	G	E12 661 385	VARISTOR	NR61,NR62,NR63	1	1	1	1	1	



1-3. DRAIN SOCKET



No.	RoHS	Part No.	Part Name	Symbol in Wiring Diagram	Q'ty/unit				Remarks
					MUZ-HC				
					25VA- E1	35VA-		35VAB-	
					E1	E2	E1	E2	
1	G	E12 817 704	DRAIN SOCKET		1	1	1	1	



© Copyright 2007 MITSUBISHI ELECTRIC ENGINEERING CO.,LTD
Distributed in Aug. 2008. No. OBB467 REVISED EDITION-A 6
Distributed in Jan. 2007. No. OBB467 6
Made in Japan

New publication, effective Aug. 2008
Specifications subject to change without notice.